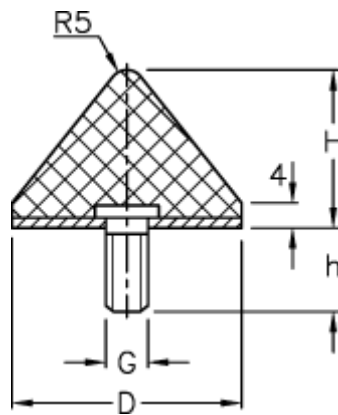


Article number: 51409086004110

Description: Vibration damper KK  
25/16,M8x20 NR shore57

## Measures

---



= 25  
= 20  
= M8  
= -